



## FAQ

---

### Lotus™ RT Sit-Stand Workstation

8081501/8081601/8081701/8081801

*Q: Is there assembly required?*

A: Yes, there is limited assembly required which should take anywhere from 5-10 minutes. You will need to attach the clamp, monitor arm and adjust the tension of the unit.

*Q: How much weight can the Lotus RT sit-stand hold?*

A: It can hold up to 35lbs total; 30lbs on the top platform and 5lbs on the keyboard platform. You can adjust the tension to offset the weight of your equipment and accessories (up to 35lbs).

*Q: How do I adjust the tension of my unit?*

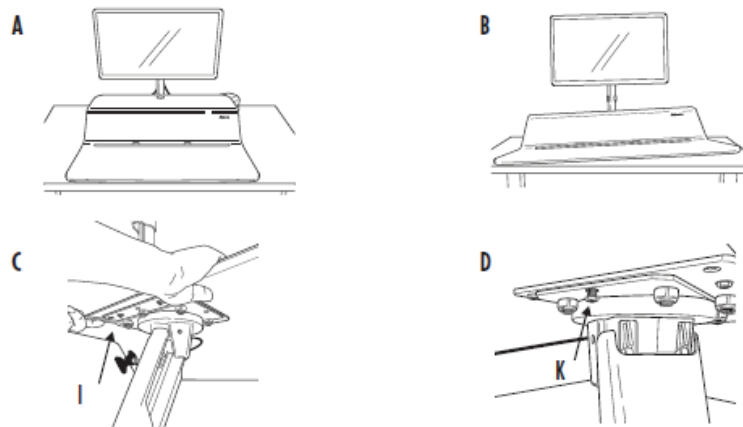
A: Start by raising the sit-stand to the highest position (with all your equipment and accessories placed on the unit). Turn the bolt located at the rear of the base counter clockwise to offset heavier weights. Approximately 10 half turns are needed to set up a single monitor set-up, but the exact number of rotations depends on your personal comfort. Refer to step 8 in the instruction manual.

*Q: What size monitor does the Lotus RT hold?*

A: You can choose between either a single or dual version of the Lotus RT. The single monitor arm holds a monitor up to 27" and 17 lbs. and the dual monitor arm holds a monitor up to 26" and 13 lbs.

*Q: The platform isn't level on my desk, how do I adjust it?*

A: Determine if the left or right side is lifting up. Then on the opposite side of which is raised, loosen the M6 nuts on the underside of the platform. On the same side, tighten the M4 adjustment screw until the work surface is level. Re-tighten the M6 nuts. Refer to step 6 in the instruction manual.

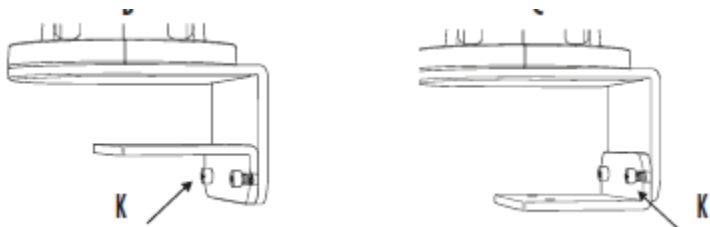


*Q: Does the Lotus RT need to be fastened to the desk?*

A: Yes, it clamps to the rear of the desk (.75" – 3") thick.

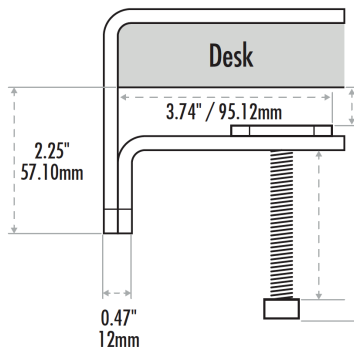
*Q: My desk is < 3" thick and the clamp won't fit, what am I doing wrong?*

A: You will need to flip the base clamp by removing the two bolts and reinstalling. Refer to step 1A in the instruction manual.



Q: How large of a lip or desktop overhang do I need to clamp the RT to my desk?

A: You will need a space at least 3.75" or larger to attach the clamp to.



Q: I'm concerned it might damage my desk.

A: The clamp and platform have rubber/foam pads that help protect the desk from scratching the surface of your desk.

Q: What's the minimum size of desk required to successfully install this product?

A: The Lotus should be placed on a sturdy, flat surface at least 24" deep and 35" wide to have sufficient space for the product.

Q: The platform extends past my desk in the sitting position. How do I make it flush with my desk?

A: You will need to re-mount your Lotus RT offset from the center of your desk. Be sure to use two people and refer to Step 1C in the instruction manual.

Q: How stable is the keyboard platform when typing?

A: Under normal use, the platform is stable. If you want to maximize the durability of the product, please do not lean or apply excessive force to the keyboard platform.

Q: What is the best way to clean the Lotus RT Workstation?

A: Use a soft, clean, dry cloth.

Q: Is Lotus RT BIFMA certified?

A: At this time there are no BIFMA certifications for sit-stand converters. Our Lotus RT Sit-Stand Workstations have passed a series of BIFMA tests which are most applicable to sit stand desk converters.