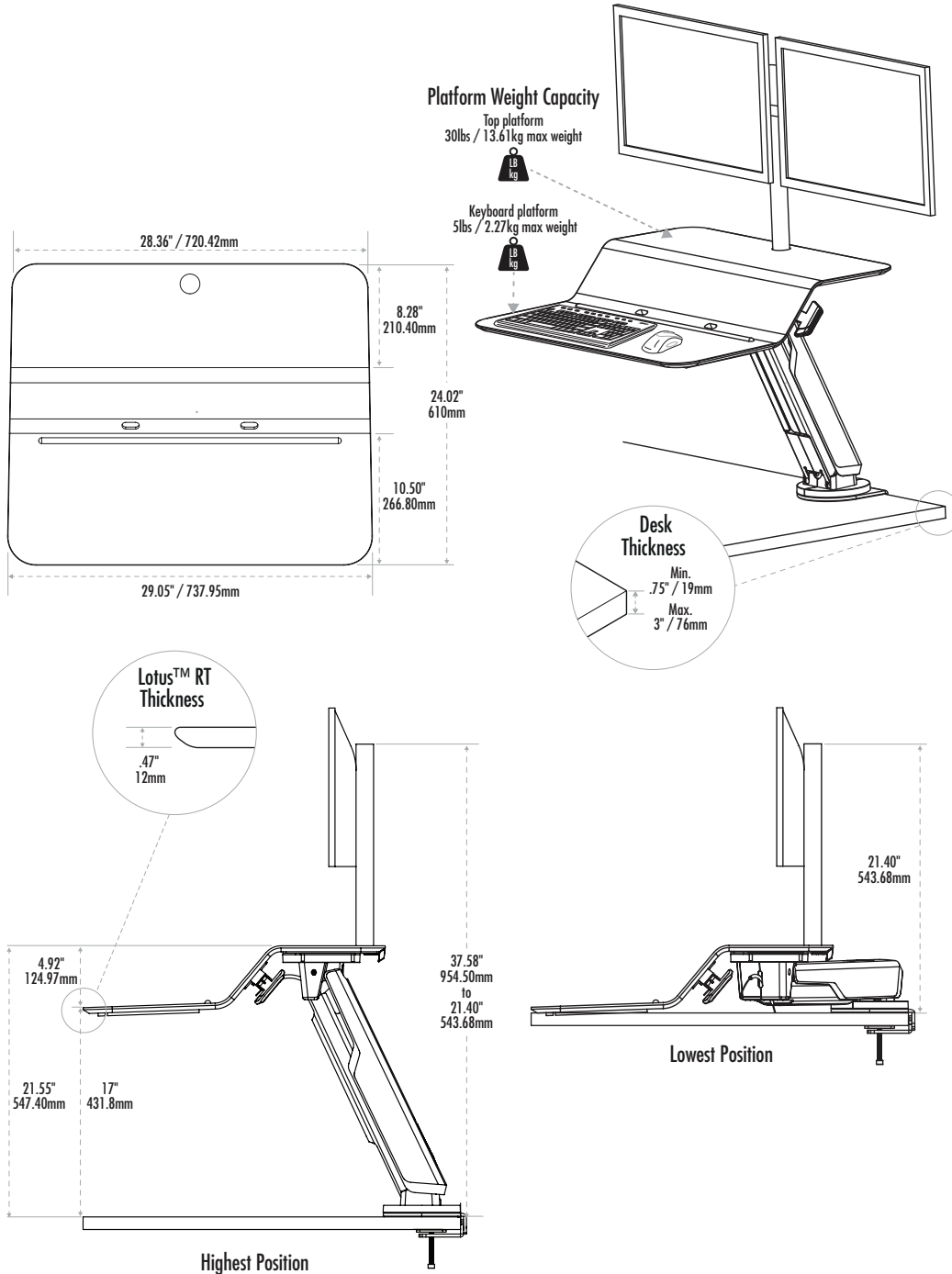


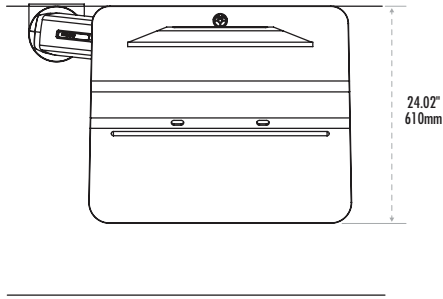


Dimensions

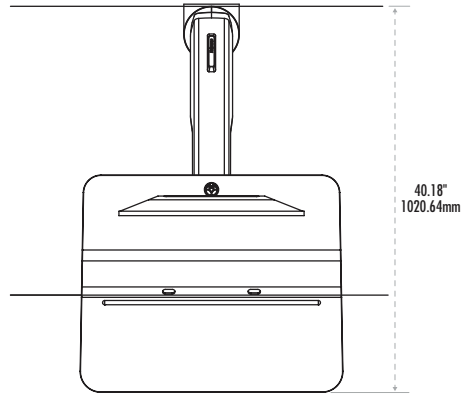
Lotus™ RT Sit-Stand Workstation with Dual Monitor 8081601/8081801



Minimum Reach

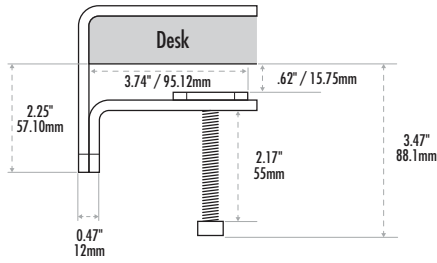


Maximum Reach



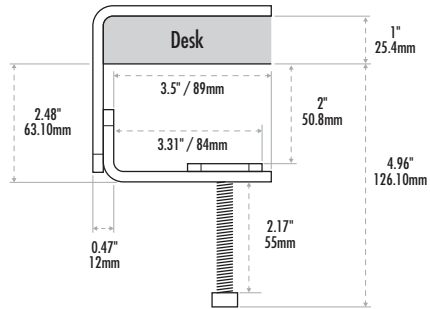
Desk Clamp Option A

Desk thickness of .75" to 1.62" / 19mm to 41.27mm

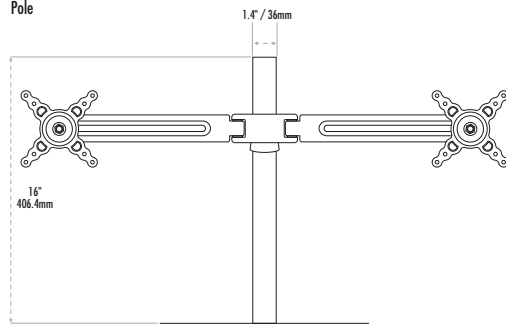


Desk Clamp Option B

Desk thickness of 1.63" to 3" / 41.28mm to 76mm



Pole



Monitor Arm

