



# OFFICE WELL-BEING SOLUTIONS



# OFFICE WELL-BEING SOLUTIONS

## THE 4 ZONE APPROACH

### Why is workstation ergonomics so important?

The science of ergonomics involves designing a work environment that fits an individual's specific physical needs. If a computer workstation has not been assessed and adapted for the user's needs, there's every possibility that the individual will be working with poor posture. This coupled with sitting for long periods without a break can lead to musculoskeletal disorders (MSDs), these can include back pain, upper body pain and Carpel Tunnel Syndrome!

By using the 4 Zone approach, we can target problem areas and suggest products that may be suitable to provide the adaptation or support that many users need while working at their computer.

### It's the law

Australian employers have a legal obligation to ensure a safe working environment for employees. Workstation assessments form an integral measure for ensuring the safety and wellbeing of workers who spend periods of time at their desks or workstation.

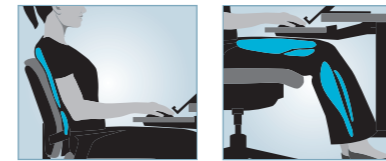
**IT'S THE LAW**  
EMPLOYERS HAVE A LEGAL OBLIGATION TO ENSURE A SAFE WORKING ENVIRONMENT FOR EMPLOYEES



By using the 4 Zone approach, we can target problem areas and suggest products that may be suitable to provide the adaptation or support that many users need while working at their computer.

## ZONE1 BACK TENSION

**CAUSE:** Slouching, Knees Above Hips  
**SOLUTION:** Back Supports, Foot Supports



## ZONE2 WRIST PRESSURE

**CAUSE:** Improper Keyboard or Mousing Position, Improper Work Surface Height  
**SOLUTION:** Wrist Supports, Keyboard Managers



## ZONE3 NECK STRAIN

**CAUSE:** Improper Monitor or Laptop Position, Improper Document Placement  
**SOLUTION:** Laptop Supports, Monitor Supports, Document Holders



## ZONE4 ORGANISATION

**CAUSE:** Awkward Positioning of Accessories and Regularly Accessed Files  
**SOLUTION:** File Sorters, Literature Organisers



## TABLE OF CONTENTS

THE 4 ZONE APPROACH	2-3
KEYBOARD MANAGERS	4-5
PALM & WRIST SUPPORTS	6-9
BACK & FOOT SUPPORTS	10-13
MONITOR & LAPTOP SUPPORTS	14-17
PRIVACY FILTERS	18-19
DOCUMENT HOLDERS	20-22
KEYBOARDS & MICE	23
MOUSE PADS	24
INDEX	25-27







### Tilt 'n Slide Pro™ Keyboard Manager

Attaches to desktop-edge without tools and features the Comfort Glide™ System

- > Comfort Glide™ System – mouse tray slides over numeric key pad for additional comfort while mousing
- > Extended knee clearance keeps you comfortable while typing and mousing
- > Single lever easily adjusts tilt (flat to 30°) and slide (118mm travel distance)
- > Attaches to desktops up to 45mm thick without surface damage
- > Unique textured surface keeps mouse from sliding off mousing platform ( IP pending )
- > Ultra soft memory foam wrist rest with Microban® antimicrobial protection to keep product cleaner

8060201



Side View

### Tilt 'n Slide™ Keyboard Manager

Attaches to desktop-edge without tools, which allows platform to tilt or slide with ease

- > Extended knee clearance keeps you comfortable while typing and mousing
- > Single lever easily adjusts tilt (flat to 30°) and slide (118mm travel distance)
- > Attaches to desktops up to 45mm thick without surface damage
- > Unique textured surface keeps mouse from sliding off mousing platform ( IP pending )
- > Ultra soft memory foam wrist rest with Microban® antimicrobial protection to keep product cleaner

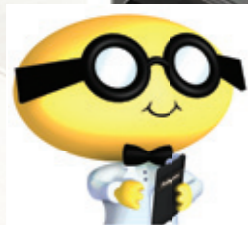
8060101



Side View

Tilt 'n Slide Comparison Chart	Compatibility						Adjustability		Comfort Features
	Item Number	Maximum Desk Thickness	Minimum Desk Depth to Install	Keyboard Platform Dimensions (WxD)	Keyboard Platform Dimensions (WxD) With Wrist Support	Mouse Platform Dimensions (WxD)	Keyboard Tray Tilt	Height Adjustable Mouse Tray	Microban® Protection
Tilt 'n Slide™ Keyboard Manager	8060101	45mm	102mm above 89mm underside	495mm x 200mm	495mm x 301mm	215mm x 184mm	0°, 10°, 20°, 30°	NO	YES
Tilt 'n Slide Pro™ Keyboard Manager	8060201	45mm	102mm above 89mm underside	495mm x 200mm	495mm x 292mm	222mm x 279mm	0°, 10°, 20°, 30°	YES	YES





Did you know the lifetime risk for Carpal Tunnel Syndrome is around 10% of the adult population.<sup>1</sup>

<sup>1</sup> Everyone Healthy

## FIND THE RIGHT PALM & WRIST SOLUTION



Helps reduce arm, hand, and wrist discomfort

- > Experience true comfort
- > Provide exceptional support
- > Help you achieve a neutral posture

Fellowes® Palm & Wrist Support Solutions provide exceptional support while redistributing the pressure points on your wrists. These products are designed to increase your comfort while typing and mousing and are available in a variety of colours, coverings, and materials.

### BENEFITS OF OUR PATENTED HEALTH-V™ CHANNEL

- > Relieves wrist pressure
- > Helps prevent costly repetitive motion injuries such as carpal tunnel syndrome
- > Ensures a comfortable, neutral wrist position

**Health-V™**  
Feel the Comfort

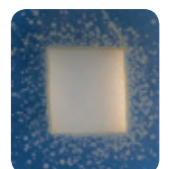


### ADVANTAGES OF MICROBAN® PROTECTION

- > Microban® antimicrobial protection inhibits the growth of odor and stain causing bacteria on the product surface to help keep the product cleaner
- > All products engineered with Microban® undergo extensive testing in our microbiology and chemical analysis labs. In addition, Microban® technology has been proven effective in over 20,000 tests at over 27 independent laboratories



**WITH MICROBAN® PROTECTION**



**WITHOUT MICROBAN® PROTECTION**



## PlushTouch™ Wrist Rests with FoamFusion™ Technology

**The Softest Place Your Wrists Can Rest™**

- > Innovative new FoamFusion™ Technology provides superior comfort and softness to help relieve wrist pressure
- > Microban® antimicrobial protection keeps product cleaner
- > Non-skid backing keeps wrist support in place
- > Soft breathable material withstands daily wear and tear

Item Number	Material	Covering	Colour
<b>Mouse Pad / Wrist Rest</b>			
9252001	FoamFusion™	Fabric	Black
9252201	FoamFusion™	Fabric	Graphite
<b>Keyboard Wrist Rest</b>			
9252101	FoamFusion™	Fabric	Black
9252301	FoamFusion™	Fabric	Graphite



**NEW!**



## Gel Mouse Pad / Wrist Rests with Microban® Protection

- > Provides exceptional support while redistributing pressure points
- > Optical mouse-friendly

Item Number	Material	Covering	Colour
9175401	Gel	Fabric	Sapphire
9175101	Gel	Fabric	Graphite



## Gel Keyboard Wrist Rests with Microban® Protection

- > Provides exceptional support while redistributing pressure points

Item Number	Material	Covering	Colour
9175601	Gel	Fabric	Sapphire
9175301	Gel	Fabric	Graphite



Flexible harness keeps Palm Support attached to your mouse

## Gliding Palm Supports with Microban® Protection

- > Patented palm support design glides effortlessly with mouse to encourage healthy, natural movement
- > Palm guide and expanded cushion put any size hand in neutral posture

Item Number	Material	Covering	Colour
9180101	Memory Foam	Fabric	Graphite
9180201	Memory Foam	Fabric	Blue
9180301	Memory Foam	Fabric	Black
9180601	Gel	Polyurethane	Blue
9180701	Gel	Polyurethane	Black
9183401	Gel	Polyurethane	Purple



## Memory Foam Mouse Pad/Wrist Rest

- > Soft Memory Foam conforms to your wrist for exceptional comfort

Item Number	Material	Covering	Colour
9176501	Memory Foam	Fabric	Black



## Crystals™ Wrist Rests

- > Provides soothing support while redistributing pressure points

Item Number	Material	Covering	Colour
<b>Mouse Pad / Wrist Rest</b>			
91141	Gel	Polyurethane	Blue
91441	Gel	Polyurethane	Purple
<b>Keyboard Wrist Rest</b>			
91137	Gel	Polyurethane	Blue
91437	Gel	Polyurethane	Purple
<b>Utility Wrist Rest</b>			
91177	Gel	Polyurethane	Blue
91477	Gel	Polyurethane	Purple
9112301	Gel	Polyurethane	Black

## Mouse Pad / Wrist Supports, Keyboard Palm Supports, and Laptop Palm Supports with Microban® Protection

- > Optical / Laser-friendly mouse pad improves mouse performance ( **Mouse Pad Wrist Rests** )
- > Contoured shape encourages correct ergonomic position ( **Keyboard Wrist Rests** )
- > Place on laptop for comfort and support while typing ( **Laptop Palm Supports** )

Item Number	Item Number	Item Number	Material	Covering	Colour
Mouse Pad / Wrist Support	Keyboard Wrist Support	Laptop Palm Support			
-	-	9184901	Memory Foam	Leatherette	Black
9181201	9182801	-	Memory Foam	Fabric	Black
9183901	9183701	-	Memory Foam	Fabric	Sapphire
9184001	9183801	9185001	Memory Foam	Fabric	Graphite
9182201	9183101	9184701	Gel	Polyurethane	Blue
9182301	9183201	9184801	Gel	Polyurethane	Black
9183501	9183601	-	Gel	Polyurethane	Purple







67% of Australians suffer from back pain on a weekly basis and 25% suffer daily pain!  
† 2009 Australia's Back Pain – Chiropractors' Association of Australia



## FIND THE RIGHT BACK & FOOT SOLUTION



Helps reduce back tension



Helps reduce leg pressure

Sitting in a chair for hours at a time without proper foot and back support can cause poor circulation, back discomfort, and overall fatigue.

If your chair does not adjust to provide proper lumbar support, use a backrest with a foot support to maintain correct posture.



### Professional Series™ Back Support with Microban® Protection

2-tiered support system for optimal working comfort

- > Mid spinal support with Memory Foam promotes good posture
  - > Lower lumbar support with three Memory Foam sections conforms comfortably to body curvature
  - > Now with Microban® antimicrobial protection to keep product cleaner
  - > Tri-Tachment™ system eliminates the need for readjustment
- 8037601



### Office Suites™ Mesh Back Support

- > Helps reduce tension by maintaining the lumbar curve of your lower back
  - > Mesh fabric allows airflow for your personal comfort
  - > Easily attaches to any chair
- 8036501



### Heat and Soothe Back Support

Personalise workspace comfort with temperature control and back support

- > Gel lumbar pack conforms to individual users for the ultimate flexible back support
  - > Gel lumbar pack heats up in microwave or chills in refrigerator for climate control
  - > Slim profile with soft touch fabric enhances personal comfort
- 9190001



### Portable Lumbar Support

- > Supports lower back during extended periods of sitting
  - > Adjustable strap holds lumbar back support in place
- 9190701

Comparison Chart	Item Number	Product Dimensions (HxWxD)
Office Suites™ Mesh Back Support	8036501	381mm x 451mm x 127mm
Professional Series™ Back Support	8037601	368mm x 381mm x 51mm
Heat and Soothe Back Support	9190001	346mm x 368mm x 76mm
Portable Lumbar Support	9190701	132mm x 305mm x 79mm

### Heat and Slide™ Footrest

Provides soothing heat above or below platform to promote comfort while seated

- > Smooth sliding track helps increase circulation in the legs and feet
- > HeatSafe™ Power Button lights up for easy, hands-free operation
- > 8-hour auto-off feature
- > Elevates feet and legs to help relieve lower back pressure and improve posture
- > Economical - requires only 90 watts / 0.75 amps to run  
8080501



2 ways to keep warm:



### Professional Series™ Steel Footrest

- > Elevates feet and legs to relieve lower back pressure
- > Simple height adjustment provides 3 platform heights 105mm-135mm
- > Steel structure and platform provides sturdy support
- > No fixed angle enabling rocking motion to improve circulation
- > Non-slip platform  
8064101



### Professional Series™ Ultimate Footrest

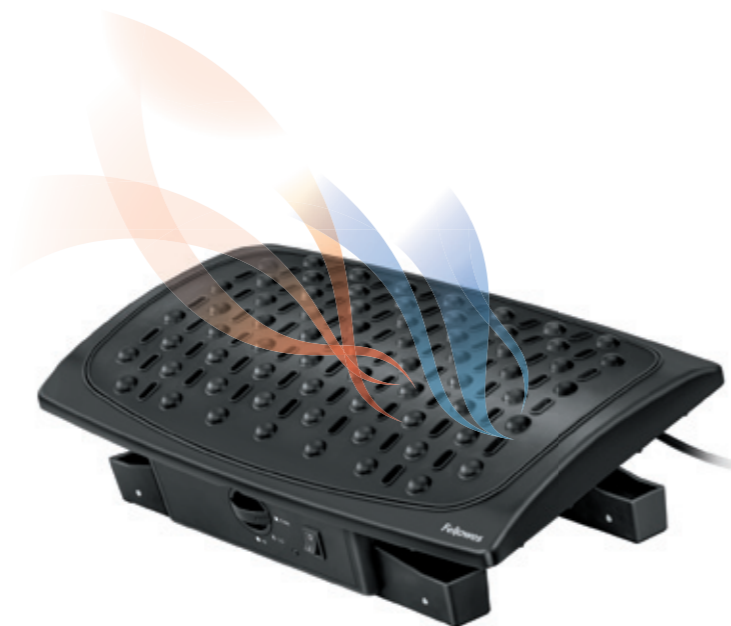
- > Elevates feet and legs to relieve lower back pressure
- > Scissor motion height adjustment provides three platform heights of 100mm, 135mm & 165mm
- > Surface massage bumps relieve stress and rejuvenate tired feet
- > No fixed angle, allowing for rocking motion to improve circulation
- > Platform design encourage correct positioning of feet  
8067001



### Climate Control Footrest

Versatile unit works as a footrest or provides free-standing climate control

- > Features three temperature settings: cool fan, low heat, and high heat
- > 8-hour auto-off feature
- > Elevates feet and legs to help relieve lower back pressure and improve posture
- > Economical - requires only 250 watts / 2.1 amps to run  
8050901



### Smart Suites™ Foot Rocker

- > Rocking motion helps improve circulation and reduce fatigue
- > Flip product over to adjust height  
8023901



### Office Suites™ Adjustable Footrest

- > Adjustable footrest tilts 30° forward or back
- > Locks in place or tilts freely for improved circulation  
8032201



### Standard Footrest

- > Dual-position height adjustment
- > Allows legs to stretch for increased circulation
- ✔ Product Contains 100% Post-Consumer Recycled Materials  
48121

Comparison Chart	Item Number	Platform Dimensions (WxD)	Height Adjustments
Climate Control Footrest	8050901	416mm x 260mm	139mm, 165mm
Heat and Slide™ Footrest	8080501	419mm x 266mm	108mm, 127mm

Comparison Chart	Item Number	Platform Dimensions (WxD)	Height Adjustments
Standard Footrest	48121	425mm x 305mm	89mm, 111mm
Smart Suites™ Foot Rocker	8023901	498mm x 303mm	70mm, 101mm
Office Suites™ Adjustable Footrest	8032201	443mm x 330mm	105mm, 123mm, 143mm
Professional Series™ Steel Footrest	8064101	560mm x 340mm	105mm - 135mm
Professional Series™ Ultimate Footrest	8067001	450mm x 336mm	100mm, 135mm, 165mm



# FIND THE RIGHT DISPLAY SOLUTION

Fellowes® Monitor and Laptop Supports position your monitor or laptop at a comfortable viewing angle in order to minimise shoulder, neck, and eye strain. Each support product is adjustable so that you can customise your screen position and create more usable space on the desktop.



Helps reduce eye strain



Helps reduce neck strain and shoulder tension



Did you know 41% of all work related injuries are due to body stressing – costing Australians \$5.75 billion each year.<sup>1</sup>

<sup>1</sup> Worksafe 2010



## MONITOR RISERS



### Office Suites™ Premium Monitor Riser Plus

- > Includes cup holder and CD case compartments
  - > Includes storage draw
  - > Up to 5cm of height adjustability
- 8031001



### Office Suites™ Monitor Riser Plus

- > Platform features 3-way height and tilt adjustment for laptops
  - > In-line document holder positions documents for easy, comfortable viewing
- 8036601



### Standard Monitor Riser

- > Positions the monitor at a comfortable viewing height and helps organise the workstation around the monitor
  - > Supports 36kg monitor
  - > Adjustable to 3 different heights from 64mm to 165mm
- Now made from 100% recycled plastic!
- 9169301



### Premium Monitor Riser

- > Positions the monitor at a comfortable viewing height and helps organise the workstation around the monitor
  - > Supports 36kg monitor
  - > Adjustable to 5 different heights from 64mm to 165mm
  - > Durable plastic base doubles as paper storage shelf
- Now made from 100% recycled plastic!
- 9169401

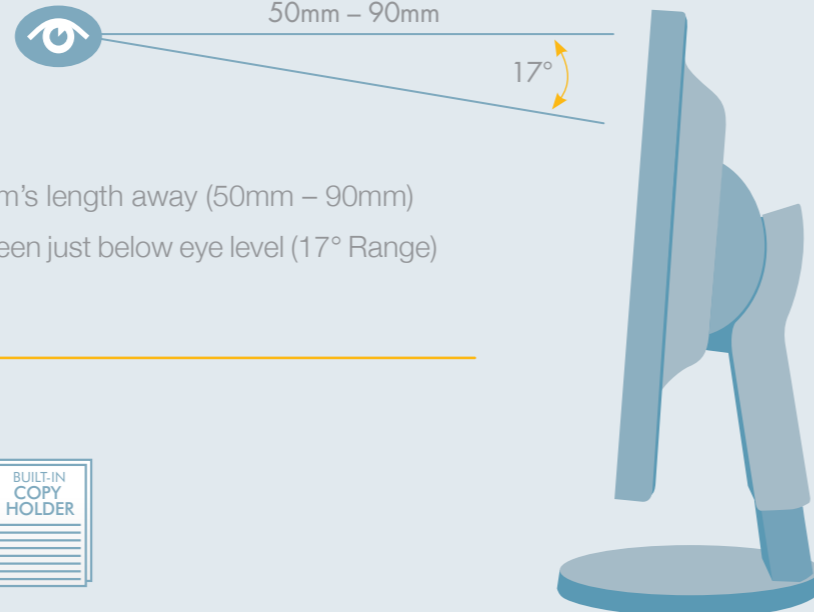


### Premium Monitor Riser Plus

- > Positions the monitor at a comfortable viewing height and helps organise the workstation around the monitor
  - > Supports 36kg monitor
  - > Adjustable to 5 different heights from 64mm to 165mm
  - > Includes 51mm storage drawer and built-in copyholder
- Now made from 100% recycled plastic!
- 9169501

## OPTIMISE YOUR SCREEN POSITION

Use the following guidelines to set the optimal position for your monitor and avoid unnecessary eye and shoulder strain.



**DISTANCE** Viewing distance should be about an arm's length away (50mm – 90mm)

**OPTIMAL HEIGHT** Position the top portion of the screen just below eye level (17° Range)

## OTHER CONSIDERATIONS

### DOCUMENT HOLDERS

A built-in document holder helps reduce desk clutter, increase efficiency, and improve ergonomic posture



### Compact Monitor Riser

- > Minimal desk space, maximum comfort
  - > Supports up to 14kg monitor
  - > Unique height adjustability from 76mm to 114mm
  - > Platform rotates 45° to assist shared viewing
  - > Includes storage tray for paper supplies
- 91450



### Smart Suites™ Monitor Riser

- > Unique shape fits neatly into desk corner to maximise work space
  - > Supports up to a maximum weight of 18kgs
  - > Three height adjustments
- 8020101



### Smart Suites™ Monitor Riser Plus

- > Raises your screen to eye level to prevent neck strain
  - > Supports up to a maximum weight of 18kgs
  - > Three height adjustments
  - > Includes a letter tray and 2 accessory pods for additional storage space
- 8020801

Comparison Chart	Item Number	Height Range	Height Adjustments	Weight Capacity	Platform Dimensions (WxD)
Compact Monitor Riser	91450	76mm - 114mm	3	14kg	-
Standard Monitor Riser	9169301	50mm - 101mm	3	36kg	335mm x 333mm
Premium Monitor Riser	9169401	64mm - 165mm	5	36kg	335mm x 333mm
Premium Monitor Riser Plus	9169501	64mm - 165mm	5	36kg	335mm x 333mm
Office Suites™ Premium Monitor Riser Plus	8031001	101mm - 165mm	5	36kg	500mm x 355mm
Office Suites™ Monitor Riser Plus	8036601	101mm - 165mm	5	36kg	679mm x 365mm
Smart Suites™ Monitor Riser	8020101	100mm - 130mm	3	18kg	305mm x 247mm
Smart Suites™ Monitor Riser Plus	8020801	100mm - 130mm	3	18kg	305mm x 247mm



## Professional Series™ Laptop Workstation with 4 Port USB

Positions laptop at comfortable height to help prevent neck strain

- > Sturdy metal frame with padding and rubber strip firmly supports and protects laptop
- > In-line document holder offers vertical or horizontal page orientation
- > Adjusts easily and provides 9 height selections for your custom comfort



### Smart Suites™ Laptop Riser

- > Encourages separate keyboard use for correct ergonomic posture
- > Offers 3 height adjustments for personal comfort
- > Triangular design with integrated 4 port 2.0 USB

### Smart Suites™ Workstation Laptop Riser

- > Raises your laptop screen to eye level to prevent neck strain
- > Supports up to 6kgs
- > Intuitive five angle height adjustment to raise laptop screen to optimal viewing level
- > In-line document clip reduces neck and eye strain
- > Convenient front access 4 port 2.0 USB hub
- > Document storage tray with pen holder



### Office Suites™ Laptop Riser

- > Adjustable tilt for optimal viewing angle
- > Supports up to 5kg
- > Stacks on top of Office Suites™ Letter Trays (8031701)



### Office Suites™ Portable Laptop Riser

- > Folds flat for ease of storage and transportation
- > Features 5 position height adjustment for personalised comfort
- > Includes supporting front edge
- > Can be used as a presentation aid
- > Non skid feet ensure that your laptop remains secure



### Designer Suites™ Laptop Riser

- > Stabilising front edge prevents laptop from sliding off unit
- > Cooling vents help dissipate laptop heat



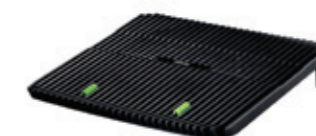
### Sound Pad Netbook Riser

- > Holds up to 14" netbook
- > 50mm incline provides comfortable working position
- > Features integrated ultra clear stereo speakers
- > Ultra quiet USB fan keeps netbook cool
- > Non slip pads hold netbook securely in place



### Precision Cooler Laptop/ Netbook Riser

- > Holds up to 15" laptop (13" for netbook riser)
- > 50mm incline provides comfortable working position
- > Ultra quiet positional USB fan keeps netbook cool
- > Stores and protects laptop in transit
- > Non slip pads hold laptop securely in place



### Maxi Cool™ Laptop Riser

- > Holds up to 17" netbook
- > 75mm incline provides comfortable working position
- > Ultra quiet high powered USB cooling fan keeps laptop cool
- > Durable lightweight construction
- > Non slip pads hold netbook securely



### Laptop GoRiser™

- > Patent pending SoftShock™ technology elevates display, keeps lap cool, and provides soft cushioning for legs
- > Cooling vents help prevent laptop from overheating
- > Folds flat to fit most briefcases

Comparison Chart	Item Number	Height Range	Height Adjustments	Angle Range	Weight Capacity	Display Capacity
Smart Suites™ Laptop Riser	8020201	0 - 45mm	3	50°	6kg	17" Laptop
Smart Suites Workstation Laptop Riser	8020901	114mm - 270mm	5	0° - 30°	6kg	17" Laptop
Professional Series™ Laptop Workstation with 4 Port USB Hub	8024602	38mm - 284mm	9	0° - 64°	6.8kg	17" Laptop
Office Suites™ Laptop Riser	8032001	139mm - 190mm	6	14° - 27.5°	5kg	17" Laptop
Office Suites™ Portable Laptop Riser	8034601	139mm - 190mm	5	-	6kg	15" Laptop
Designer Suites™ Laptop Riser	8038401	89mm - 184mm	4	0° - 30°	11kg	17" Laptop

## Professional Series™ Depth Adjustable Monitor Arm

3-dimensional adjustability for optimum viewing comfort

- > Elevates LCD monitors from 89mm to 419mm above desk with a reach of 63mm to 685mm
- > Tilts up or down +/- 37° and has 360° rotation capability
- > Meets VESA mounting standards



8041601



**EASY TO ATTACH**  
Requires no tools to attach and mounts to surfaces 25mm to 76mm thick (51mm desk overhang required) or mounts in grommet hole) 8041601 and 8041701

## Professional Series™ Depth Adjustable Dual Monitor Arm

Two fully adjustable monitor arms for optimum viewing control

- > Elevates LCD monitors from 89mm to 419mm above desk with a reach of 63mm to 685mm
- > Tilts up or down +/- 37° and freely swings left or right (360 degree rotation capability)
- > Meets VESA mounting standards



8041701

Comparison Chart	Item Number	Height Range	Height Adjustments	Tilt Range	Weight Capacity	Display Capacity
Professional Series Depth Adjustable Monitor Arm	8041601	89mm - 419mm	63mm - 685mm	plus/minus 37°	10kg	21" Flat Panel Monitor
Professional Series Depth Adjustable Dual Monitor Arm	8041701	89mm - 419mm	63mm - 685mm	plus/minus 37°	10kg (per arm)	21" Flat Panel Monitor

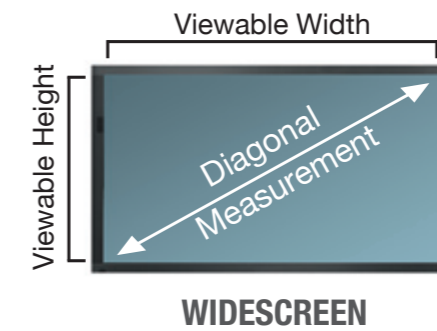
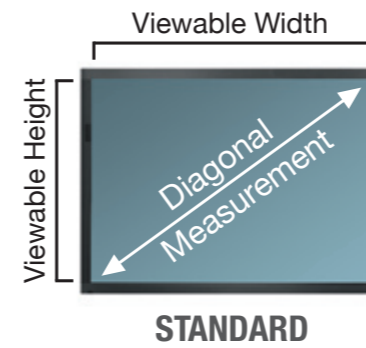
Comparison Chart	Item Number	Height Range	Height Adjustments	Tilt Range	Weight Capacity
Sound Pad Netbook Riser	8018601	50mm	Yes	14°	9kg
Precision Cooler Mini Netbook Riser	8018701	50mm	Yes	13°	9kg
Precision Cooler Laptop Riser	8018801	50mm	Yes	15°	9kg
Maxi Cool Laptop Riser	8018901	75mm	Yes	17°	9kg
Laptop Go Riser™	8030401	n/a	Yes	15.4°	4.5kg





**LAPTOP AND LCD SIZE CHART**

Choose from widescreen or standard size to assure the correct fit for your laptop or LCD monitor.



To ensure proper fit, it is critical that you measure your monitor screen correctly.  
 ONLY MEASURE THE VIEWABLE SCREEN AREA  
 DO NOT INCLUDE THE SCREEN FRAME WHEN YOU MEASURE

**PROTECT YOUR DATA FROM PRYING EYES**  
**PRIVACY FILTERS**

Stop Prying Eyes from viewing your confidential data and work more freely with Fellowes® Privacy Filters. Easy to attach and remove, the exclusive Black-Out Technology darkens your screen when viewed from the side making content visible for your eyes only.



Item Number	Description	Viewable Area (H x W) mm	Viewable Area Diagonal (mm)	Fits Monitor Size
4800101	15.0" Laptop/Flat Panel	229 x 305	381	15.0"
4800701	15.4" W Laptop/Flat Panel	208 x 332	390	15.4" Widescreen
4800301	17.0" Laptop/Flat Panel	270 x 340	432	17.0"
4801001	17.0" W Laptop/Flat Panel	230 x 368	432	17.0" Widescreen
4800501	19.0" Laptop/Flat Panel	302 x 367	483	19.0"
4801101	19.0" W Laptop/Flat Panel	257 x 411	483	19.0" Widescreen
4801201	20.1" Laptop/Flat Panel	308 x 410	510	20.1"
4801301	20.1" W Laptop/Flat Panel	273 x 435	510	20.1" Widescreen
4801501	22.0" W Laptop/Flat Panel	298 x 476	559	22.0" Widescreen



# FIND THE RIGHT DOCUMENT HOLDER SOLUTION



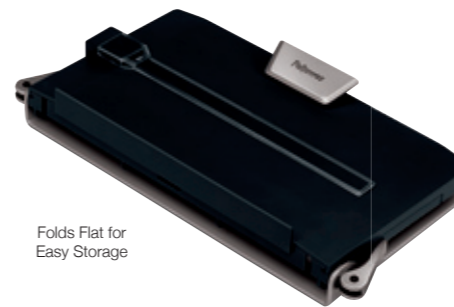
By placing your document in a document holder you can prevent unnecessary neck and eye strain.

## Professional Series™ In-Line Document Holder

Places documents between monitor and keyboard for optimal ergonomic viewing range comfort

- > Promotes neutral posture and helps reduce awkward neck and eye movements
- > Offers 6 separate angle adjustments from 25° to 75° incline
- > Top and bottom sections adjust to accommodate A4 size documents
- > Stable weighted base

8039401



Folds Flat for Easy Storage



## Office Suites™ Desktop Copyholder with Memo Board

Three-In-One Copyholder – document holder, optimal ergonomic viewing range comfort

- > Adjustable tilt customises viewing angle by up to 45°
- > Line guide glides up or down and swings out of the way when not in use
- > Holds A4 documents
- > Flip middle panel and document holder becomes memo board

8033201



Helps reduce eye, neck and shoulder strain

Placing documents flat on the desktop or at an awkward viewing angle while at your computer can cause eye, neck and shoulder strain.

Document holders help minimise this type of discomfort by placing documents in an ergonomically - correct viewing position.

Neck Flexion



Neutral Posture





**Desktop Copyholder**

- > Easel-style stand adjusts for custom height and viewing angle
- > Document Holder plate rotates 90° for portrait or landscape positioning
- > Made of sturdy, impact-resistant plastic
- > Line guide glides up and down or swings out of the way when not in use
- > Adjustable copy clip holds A4 documents and wide forms



9169701

**Flex Arm Weighted Base Copyholder**

- > Flexible Arm adjusts for ergonomically correct viewing height and angle
- > Document Holder plate rotates 90° for portrait or landscape positioning
- > Line guide glides up and down or swings out of the way when not in use
- > Weighted base offers stability plus storage space for 3 CDs and self-stick notes
- > Copy clip adjusts to hold A4 documents and wide forms



9169801



**BookLift™ Copyholder**

- > Ideal for e-readers, tablets, planners, large manuals, or reference materials
- > Two patented adjustable clips hold pages open at desired location
- > 9 height adjustments for a variety of viewing angles
- > Holds up to 4.5kgs



21100

**Office Suites™ Monitor Mount Copyholder**

- > Adjustable tilt customises your viewing angle
- > Line guide glides up or down and swings out of way when not in use
- > Holds A4 documents



8033301



**A4 Workstation Copyholders**

- > Track design allows user to re-position line guide and paper holder along the top or side
- > Holds A4 documents



21103 Platinum



**Copystand**

- > 6 adjustable viewing angles maximise personal comfort
- > Folds flat for easy storage
- > Holds A4 documents



20000



**a CLEAN connection**

Dirty surfaces are not only unsightly, they can also harbor bacteria. Stop microbes in their tracks with Fellowes® keyboards and mice featuring Microban® antimicrobial protection.

The exclusive Microban® antimicrobial technology protects against product harming microbes.

**corded vs. cordless**



wired



wireless

Wireless input devices create a clean, clutter free desk and offer maximum flexibility but may require batteries or charging. Wired devices are powered by your computer.

**Microban® 5-Button Optical Mouse**

- > Microban® antimicrobial protection keeps product cleaner
- > 5 programmable buttons; Fellowes EasyPoint Software will need to be downloaded from Fellowes.com
- > Compatible with Windows® 98SE, 2000, ME, XP and Vista® 32 bit
- > Compatible as a Plug & Play device with Windows 7 (no software available)

98913



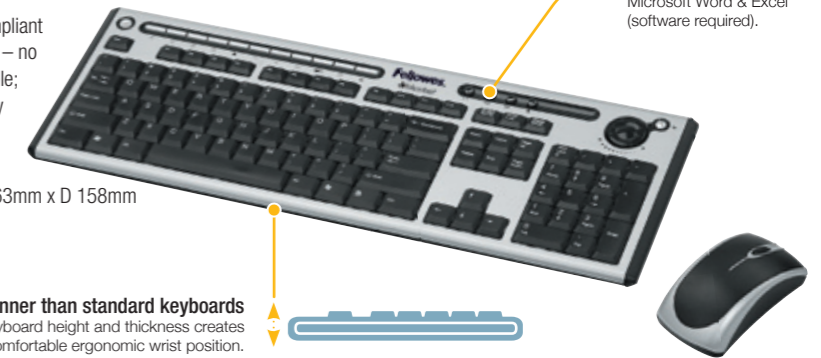
**Microban® Slimline Cordless Combo**

Offers advanced technology in a space-saving design

- > Microban® antimicrobial protection keeps product cleaner
- > 2.4Ghz wireless technology provides clear reception for up to 15 ft.
- > Cordless mouse has 3rd button/scroll capability for ease of use and 600 dpi optical readability
- > Superior light touch and feel plus faster key response
- > Compatible with Windows® 98SE, 2000, ME, XP and Vista
- > Plug & Play compliant with Windows 7 – no software available; USB connectivity
- > Keyboard dimensions: H 19mm x W 463mm x D 158mm

9893401

**60% thinner than standard keyboards**  
A reduction in keyboard height and thickness creates a more comfortable ergonomic wrist position.



**media keys**  
Control popular Multi Media applications and Quick Launch Microsoft Word & Excel (software required).

**Microban® Slimline Keyboard**

- > Microban® antimicrobial protection keeps product cleaner
- > Superior light touch plus faster key response
- > Additional Multi Media keys for web, audio, and email features
- > 60% thinner than standard keyboards
- > Compatible with Windows® 98SE, 2000, ME, XP and Vista
- > Plug & play compliant with Windows 7 – no software available
- > Dimensions: H 19mm x W 463mm x D 158mm

9893301



**Microban® Split Design Keyboard**

- > Microban® antimicrobial protection keeps product cleaner
- > 16-character buffer for fast typists
- > 7 additional hot keys for multimedia control and one touch Internet access
- > With Windows 98SE, 2000, and ME for Multi Media keys to function software will need to be downloaded from Fellowes.com
- > No software required for use with Windows Vista and Windows 7
- > Dimensions: H 57mm x W 489mm x D 247mm

989315



**Microban® Basic 104 Keyboard**

- > Microban® antimicrobial protection keeps product cleaner
- > Plug & Play compliant – no software required
- > Compatible with Windows® 98SE, 2000, ME, XP, Vista, & Windows 7
- > Dimensions: H 44mm x W 476mm x D 165mm

9892901







58713



58715

**Optical Brite-Mat® Mouse Pads**

> Hard Surface Provides 100% tracking accuracy

Item Number	Description
58713	Mouse Pad Optical Wave
58715	Mouse Pad Optical Earth & Moon



5880904



5881203



5882901



5883401

**Round Brite-Mat® Mouse Pads**

> Hard Surface Provides 100% tracking accuracy

Item Number	Description
5880904	Mouse Pad Round Football
5881203	Mouse Pad Round Smarties
5882901	Mouse Pad Round Water Lily
5883401	Mouse Pad Round City Scope



5903801



5903901



5904601



5909701



5913401



5913902

**Recycled Optical Mouse Pads**

> Made from 95% recycled tires  
> Optical friendly for superior tracking

Item Number	Description
5903801	Mouse Pad Optical Recycled Leaves
5903901	Mouse Pad Optical Recycled Blue Ocean
5904601	Mouse Pad Optical Recycled Spa Flowers
5909701	Mouse Pad Optical Recycled Waterfall
5913401	Mouse Pad Optical Recycled Dolphin Jumping
5913902	Mouse Pad Optical Recycled Puppy in Hammock

**Microban® Mouse Pads**

> Built in anti-microbial protection that gives an added level of protection against microbes such as stain and odour causing bacteria, mold and mildew

Item Number	Description
5933801	Mouse Pad Microban® Navy
5933901	Mouse Pad Microban® Black
5934001	Mouse Pad Microban® Silver



5933801



5933901



5934001

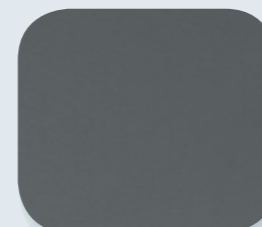
**Basic Mouse Pads**

> Durable Polyester

Item Number	Description
58021	Mouse Pad Blue
58023	Mouse Pad Silver
58024	Mouse Pad Black



5802101



58023



5802401

**KEYBOARD/POSTURE MANAGERS**

Item No.	Description	Colour	Units / CTN	Page No.	Warranty
8060101	Fellowes® Tilt n' Slide™	Black	1	5	3 Year Limited
8060201	Fellowes® Tilt n' Slide Pro™	Black	1	5	3 Year Limited

**PALM/WRIST SUPPORTS**

Item No.	Description	Colour	Units / CTN	Page No.	Warranty
91137	Fellowes® Keyboard Wrist Rest - Gel, Clear	Blue	4	9	1 Year Limited
91141	Fellowes® Mouse Pad & Wrist Support - Gel, Clear	Blue	4	9	1 Year Limited
91177	Fellowes® Utility Wrist Rest - Gel, Clear	Blue	4	9	1 Year Limited
91437	Fellowes® Keyboard Wrist Rest - Gel, Clear	Purple	4	9	1 Year Limited
91441	Fellowes® Mouse Pad & Wrist Support - Gel, Clear	Purple	4	9	1 Year Limited
91477	Fellowes® Utility Wrist Rest - Gel, Clear	Purple	4	9	1 Year Limited
9112301	Fellowes® Utility Wrist Rest - Gel, Clear	Black	4	9	1 Year Limited
9175101	Fellowes® Mouse Pad & Wrist Support - Gel, Fabric	Graphite	4	9	1 Year Limited
9175301	Fellowes® Keyboard Wrist Rest - Gel, Fabric	Graphite	4	9	1 Year Limited
9175401	Fellowes® Mouse Pad & Wrist Support - Gel, Fabric	Sapphire	4	9	1 Year Limited
9175601	Fellowes® Keyboard Wrist Rest - Gel, Fabric	Sapphire	4	9	1 Year Limited
9176501	Fellowes® Mouse Pad & Wrist Support - Memory Foam, Fabric	Black	4	9	1 Year Limited
9180101	Fellowes® Gliding Palm Support & Mouse Pad with Microban® Protection - Memory Foam, Fabric	Graphite	4	8	1 Year Limited
9180201	Fellowes® Gliding Palm Support & Mouse Pad with Microban® Protection - Memory Foam, Fabric	Blue	4	8	1 Year Limited
9180301	Fellowes® Gliding Palm Support & Mouse Pad with Microban® Protection - Memory Foam, Fabric	Black	4	8	1 Year Limited
9180601	Fellowes® Gliding Palm Support & Mouse Pad with Microban® Protection - Gel, Clear	Blue	4	8	1 Year Limited
9180701	Fellowes® Gliding Palm Support & Mouse Pad with Microban® Protection - Gel, Clear	Black	4	8	1 Year Limited
9181201	Fellowes® Mouse Pad & Wrist Support - Memory Foam, Fabric	Black	4	8	1 Year Limited
9182201	Fellowes® Mouse Pad & Wrist Support with Microban® Protection - Gel, Clear	Blue	4	8	1 Year Limited
9182301	Fellowes® Mouse Pad & Wrist Support with Microban® Protection - Gel, Clear	Black	4	8	1 Year Limited
9182801	Fellowes® Keyboard Palm Support - Memory Foam, Fabric	Black	4	8	1 Year Limited
9183101	Fellowes® Keyboard Palm Support - Gel, Clear	Blue	4	8	1 Year Limited
9183201	Fellowes® Keyboard Palm Support - Gel, Clear	Black	4	8	1 Year Limited
9183401	Fellowes® Gliding Palm Support & Mouse Pad with Microban® Protection - Gel, Clear	Purple	4	8	1 Year Limited
9183501	Fellowes® Mouse Pad & Wrist Support with Microban® Protection - Gel, Clear	Purple	4	8	1 Year Limited
9183601	Fellowes® Keyboard Palm Support - Gel, Clear	Purple	4	8	1 Year Limited
9183701	Fellowes® Keyboard Palm Support - Memory Foam, Fabric	Blue	4	8	1 Year Limited
9183801	Fellowes® Keyboard Palm Support - Memory Foam, Fabric	Graphite	4	8	1 Year Limited
9183901	Fellowes® Mouse Pad & Wrist Support - Memory Foam, Fabric	Blue	4	8	1 Year Limited
9184001	Fellowes® Mouse Pad & Wrist Support - Memory Foam, Fabric	Graphite	4	8	1 Year Limited
9184701	Fellowes® Laptop Palm Support - Gel, Clear	Blue	4	8	1 Year Limited
9184801	Fellowes® Laptop Palm Support - Gel, Clear	Black	4	8	1 Year Limited
9184901	Fellowes® Laptop Palm Support - Memory Foam, Leatherette	Graphite	4	8	1 Year Limited
9185001	Fellowes® Laptop Palm Support - Memory Foam, Fabric	Graphite	4	8	1 Year Limited
9252001	Fellowes® Mouse Pad & Wrist Support with FoamFusion™ and Microban® Protection	Black	4	8	1 Year Limited
9252101	Fellowes® Keyboard Palm Support with FoamFusion™ and Microban® Protection	Black	4	8	1 Year Limited
9252201	Fellowes® Mouse Pad & Wrist Support with FoamFusion™ and Microban® Protection	Graphite	4	8	1 Year Limited
9252301	Fellowes® Keyboard Palm Support with FoamFusion™ and Microban® Protection	Graphite	4	8	1 Year Limited

**FOOT & BACK SUPPORTS**

Item No.	Description	Colour	Units / CTN	Page No.	Warranty
48121	Fellowes® Standard Footrest	Black	2	13	1 Year Limited
8023901	Fellowes® Smart Suites™ Foot Rocker	Black	2	13	1 Year Limited
8032201	Fellowes® Office Suites™ Adjustable Footrest	Black	2	13	3 Year Limited
8050901	Fellowes® Climate Control Footrest	Black	1	12	1 Year Limited
8064101	Fellowes® Professional Series™ Steel Footrest	Black	2	13	1 Year Limited



**FOOT & BACK SUPPORTS**

Item No.	Description	Colour	Units / CTN	Page No.	Warranty
8067001	Fellowes® Professional Series™ Ultimate Footrest	Black	2	13	1 Year Limited
8080501	Fellowes® Heat and Slide™ Footrest	Black	2	12	1 Year Limited
8036501	Fellowes® Office Suites™ Mesh Back Support	Black	2	11	3 Year Limited
8037601	Fellowes® Professional Series™ Back Support	Black	2	11	Limited Lifetime
9190001	Fellowes® Heat and Soothe Back Support	Black	4	11	3 Year Limited
9190701	Fellowes® Portable Lumbar Back Support	Black	4	11	1 Year Limited

**MONITOR RISERS**

Item No.	Description	Colour	Units / CTN	Page No.	Warranty
91450	Fellowes® Compact Monitor Riser	Graphite	2	15	3 Year Limited
9169301	Fellowes® Standard Monitor Riser	Graphite	4	15	3 Year Limited
9169401	Fellowes® Premium Monitor Riser	Graphite	2	15	3 Year Limited
9169501	Fellowes® Premium Monitor Riser Plus	Graphite	2	15	3 Year Limited
8031001	Fellowes® Office Suites™ Premium Monitor Riser	Black/Silver	2	15	3 Year Limited
8036601	Fellowes® Office Suites™ Monitor Riser Plus	Black/Silver	2	15	3 Year Limited
8020101	Fellowes® Smart Suites™ Monitor Riser	Black	2	15	3 Year Limited
8020801	Fellowes® Smart Suites™ Monitor Riser Plus	Black	2	15	1 Year Limited

**LAPTOP RISERS**

Item No.	Description	Colour	Units / CTN	Page No.	Warranty
8018601	Fellowes® Sound Pad Netbook Riser	Black	6	17	1 Year Limited
8018701	Fellowes® Precision Cooler Mini Netbook Riser	Silver	6	17	1 Year Limited
8018801	Fellowes® Precision Cooler Laptop Riser	Silver	6	17	1 Year Limited
8018901	Fellowes® Maxi Cool Laptop Riser	Black	6	17	1 Year Limited
8020201	Fellowes® Smart Suites™ Laptop Riser	Black	2	16	3 Year Limited
8020901	Fellowes® Smart Suites™ Workstation Laptop Riser	Black	2	16	1 Year Limited
8024602	Fellowes® Professional Series™ Laptop Workstation with 4 Port USB Hub	Black/Silver	2	16	1 Year Limited
8030401	Fellowes® Go Riser™ Laptop Riser	Black	6	17	3 Year Limited
8032001	Fellowes® Office Suites™ Laptop Riser	Silver	2	16	3 Year Limited
8034601	Fellowes® Office Suites™ Portable Laptop Riser	Silver	4	16	3 Year Limited
8038401	Fellowes® Designer Suites™ Laptop Riser	Black	2	16	3 Year Limited

**MONITOR ARMS**

Item No.	Description	Colour	Units / CTN	Page No.	Warranty
8041601	Fellowes® Professional Series™ Depth Adjustable Monitor Arm	Black	1	17	Limited Lifetime
8041701	Fellowes® Professional Series™ Depth Adjustable Dual Monitor Arm	Black	1	17	3 Year Limited

**PRIVACY FILTERS**

Item No.	Description	Colour	Units / CTN	Page No.	Warranty
4800101	Fellowes® 15.0" Privacy Filter	Black	4	19	1 Year Limited
4800301	Fellowes® 17.0" Privacy Filter	Black	4	19	1 Year Limited
4800501	Fellowes® 19.0" Privacy Filter	Black	4	19	1 Year Limited
4801201	Fellowes® 20.1" Privacy Filter	Black	4	19	1 Year Limited
4800701	Fellowes® 15.4" Widescreen Privacy Filter	Black	4	19	1 Year Limited
4801001	Fellowes® 17.0" Widescreen Privacy Filter	Black	4	19	1 Year Limited
4801101	Fellowes® 19.0" Widescreen Privacy Filter	Black	4	19	1 Year Limited
4801301	Fellowes® 20.1" Widescreen Privacy Filter	Black	4	19	1 Year Limited
4801501	Fellowes® 22.0" Widescreen Privacy Filter	Black	4	19	1 Year Limited

**DOCUMENT HOLDERS**

Item No.	Description	Colour	Units / CTN	Page No.	Warranty
20000	Fellowes® Copystand	Platinum	6	22	3 Year Limited
21100	Fellowes® Booklift™ Copyholder	Platinum	6	22	3 Year Limited
21103	Fellowes® A4 Workstation Copyholder	Platinum	6	22	3 Year Limited

**DOCUMENT HOLDERS**

Item No.	Description	Colour	Units / CTN	Page No.	Warranty
8033201	Fellowes® Office Suites™ Desktop Copyholder with Memo Board	Black/Silver	4	21	3 Year Limited
8033301	Fellowes® Office Suites™ Monitor Mount Copyholder	Black/Platinum	4	22	3 Year Limited
8039401	Fellowes® Professional Series™ In-Line Document Holder	Black	4	21	Limited Lifetime
9169701	Fellowes® Desktop Copyholder	Black	4	22	3 Year Limited
9169801	Fellowes® Flex Arm Weighted Base Copyholder	Black	4	22	3 Year Limited

**KEYBOARDS & MICE**

Item No.	Description	Colour	Units / CTN	Page No.	Warranty
98913	Fellowes® Microban® 5 Button Optical Mouse	Black	4	23	3 Year Limited
98915	Fellowes® Microban® Split Design Keyboard	Black	4	23	3 Year Limited
9892901	Fellowes® Microban® Basic 104 Keyboard	Black	4	23	3 Year Limited
9893301	Fellowes® Microban® Slimline Keyboard	Black/Silver	4	23	3 Year Limited
9893401	Fellowes® Microban® Slimline Cordless Combo	Black/Silver	4	23	3 Year Limited

**MOUSE PADS**

Item No.	Description	Colour	Units / CTN	Page No.	Warranty
58021	Fellowes® Basic Mouse Pad	Navy	6	24	1 Year Limited
58023	Fellowes® Basic Mouse Pad	Black	6	24	1 Year Limited
58024	Fellowes® Basic Mouse Pad	Silver	6	24	1 Year Limited
5933801	Fellowes® Microban® Basic Mouse Pad	Navy	6	24	1 Year Limited
5933901	Fellowes® Microban® Basic Mouse Pad	Black	6	24	1 Year Limited
5934001	Fellowes® Microban® Basic Mouse Pad	Silver	6	24	1 Year Limited
58713	Fellowes® Brite - Mat® Optical Mouse Pad - Waves	Multi	6	24	1 Year Limited
58715	Fellowes® Brite - Mat® Optical Mouse Pad - Earth & Moon	Multi	6	24	1 Year Limited
5880904	Fellowes® Brite - Mat® Optical Mouse Pad Round - Football	Multi	6	24	Limited Lifetime
5881203	Fellowes® Brite - Mat® Optical Mouse Pad Round - Smarties	Multi	6	24	Limited Lifetime
5882901	Fellowes® Brite - Mat® Optical Mouse Pad Round - Water Lily	Multi	6	24	Limited Lifetime
5883401	Fellowes® Brite - Mat® Optical Mouse Pad Round - City Scape	Multi	6	24	Limited Lifetime
5903801	Fellowes® Recycled Optical Mouse Pad - Leaves	Multi	6	24	1 Year Limited
5903901	Fellowes® Recycled Optical Mouse Pad - Ocean	Multi	6	24	1 Year Limited
5904601	Fellowes® Recycled Optical Mouse Pad - Spa Flowers	Multi	6	24	1 Year Limited
5909701	Fellowes® Recycled Optical Mouse Pad - Waterfall	Multi	6	24	1 Year Limited
5913401	Fellowes® Recycled Optical Mouse Pad - Dolphin Jumping	Multi	6	24	1 Year Limited
5913902	Fellowes® Recycled Optical Mouse Pad - Puppy in Hammock	Multi	6	24	1 Year Limited



***Fellowes***

©2013 FELLOWES AUSTRALIA PTY LTD

79-81 South Centre Road, Melbourne Airport Business Park Tullamarine VIC 3045 Australia · Tel: +61 3 8336 9700 · Fax: +61 3 9335 3408 · [www.fellowes.com/au](http://www.fellowes.com/au) Form #530156